

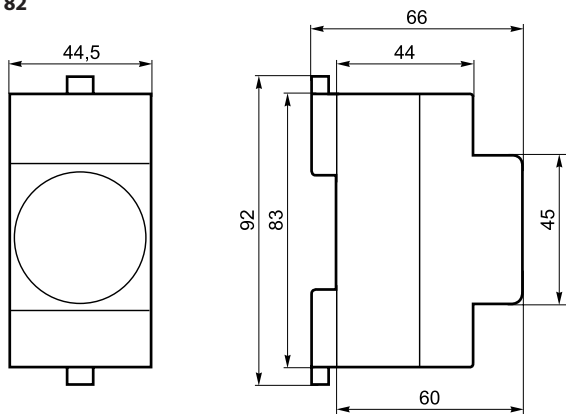
SUMMARY	Page
1. Range	1
2. Dimensions	1
3. Electrical characteristics	1
4. Reference standards	1
5. Mechanical characteristics	1
6. Installation	1
7. Accessories	2
8. Protection index	2

1. RANGE

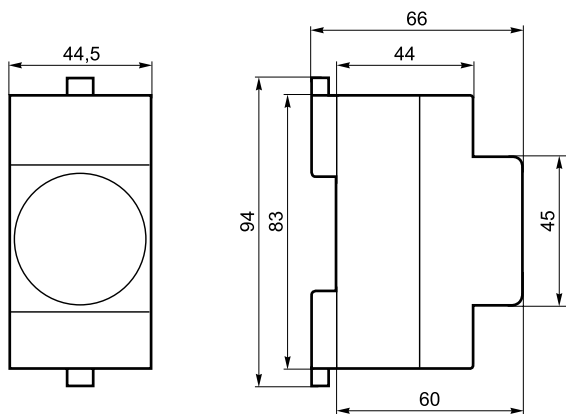
- 10/16 A - 250 V~
- 2 P + E with safety shutters
- 2 P + E with safety shutters and tamperproof for protected or specialized circuits
- 2 P + E with safety shutters with warning light
- 2 P + E German standard

2. DIMENSIONS

0 042 82



0 042 80/83/85



3. ELECTRICAL CHARACTERISTICS

- Thermal current : 10/16 A
- Rated voltage : 250 V
- Overvoltage category 1,2/50 μs : 4 kV~
- Dielectric strength : 2 kV~

4. REFERENCE STANDARDS

IEC 60884-1
NF C 61-314

5. MECHANICAL CHARACTERISTICS

- **Environmental conditions**
Storage temperature : - 10° C to + 70° C
Operating temperature : - 5° C to + 40° C
- **Mechanical resistance** : IK04
- **Materials**

0 042 80/83/85

Casing	Cover	Polycarbonate	Density	1,18 to 1,25	
			Bending module	> 2,20 GPa	
			Incandescent wire	850°C	
				Colour	Grey RAL 7035
	Base	PolyPropylene	Density	0,88 to 0,92	
			Bending module	> 1,3 GPa	
			Incandescent wire	960°C	
				Colour	Grey RAL 7035
	Claw	PolyAmide	Density	1,11 to 1,18	
Bending module			> 3 Gpa		
Incandescent wire			850°C		
			Colour	White RAL 9010	
Screw	steel				
Contacts	copper				

0 042 82

Casing	Cover and base	Polycarbonate	Density	1,18 to 1,25
			Bending module	> 2,20 GPa
	Claw	PolyAmide	Incandescent wire	750°C / 30s
			Colour	Grey RAL 7035
Screw	steel			
Contacts	copper			

6. INSTALLATION

• Wiring

Conductors permitted :

Flexible with end caps 1,5 to 6 mm²
Rigid 1,5 to 10 mm²

Tools required :

Flat blade screwdriver Ø 4 to 5,5 mm
Posidrive screwdriver PZ1

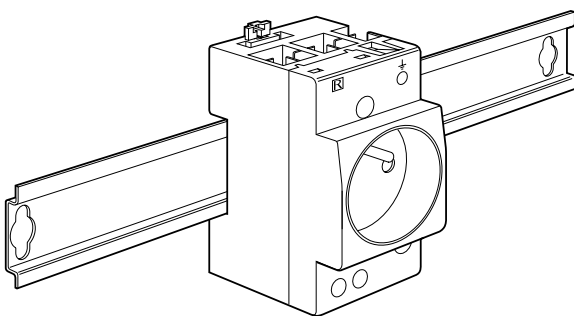
Tightening torque :

Min. 0,8 Nm
Max. 1,8 Nm
Recommended 1,2 Nm

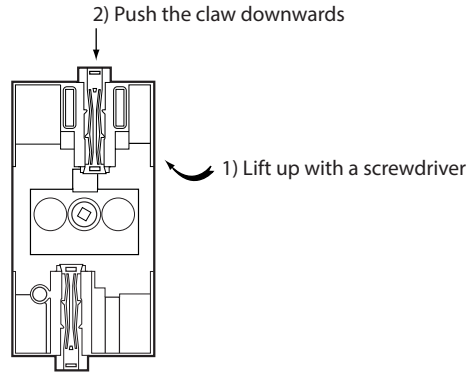
Cage terminals, with combined Posidrive, releasable and captive screws.
Protection against direct contact : IP 2x
Slot on the top of the socket to allow the busbar to pass through Busbar connection possible. For phase and neutral, connection from the bottom

• Mounting

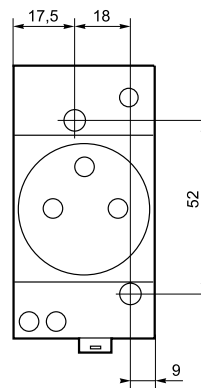
- Mounted on symmetrical rail EN 50-022



- Releasing the claws

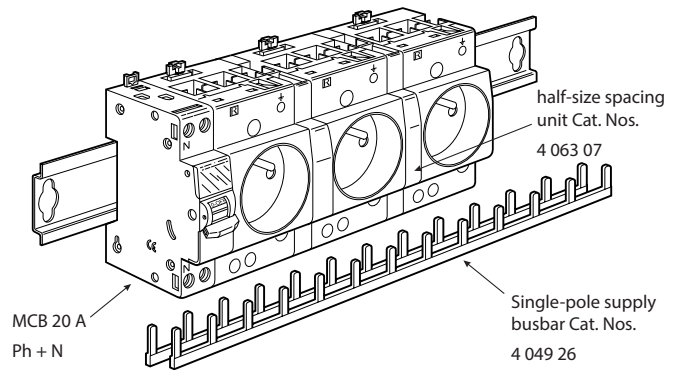


- On a plate (perforated or not) after releasing the top claw :
0 042 82

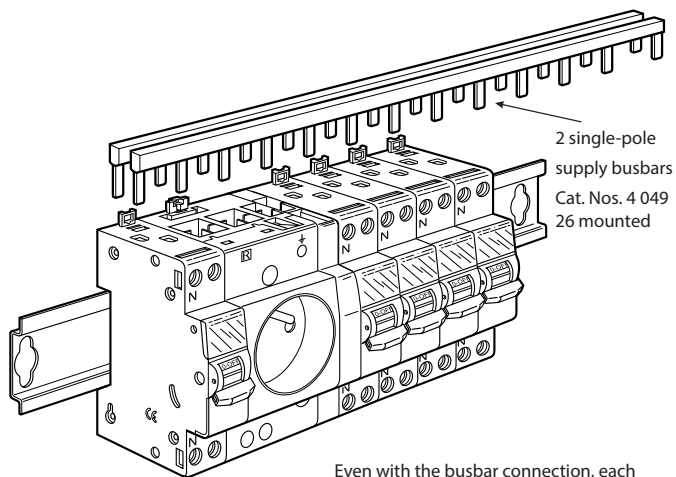


• Power supply from the bottom

- P + N - Cat. Nos. 0 042 80/82/83



- Busbar passed through and held in place



Even with the busbar connection, each unit can be disconnected and removed separately

7. ACCESSORIES

7.1 Wiring accessories

PProng-type supply busbar Cat. Nos. 4 049 26

7.2 Miscellaneous accessories

Spacing unit Cat. Nos. 4 063 07

Mosaic 45 grid Cat. Nos. 0 802 99 for standard Mosaic socket

8. PROTECTION INDEX

Classe II

IP 2x